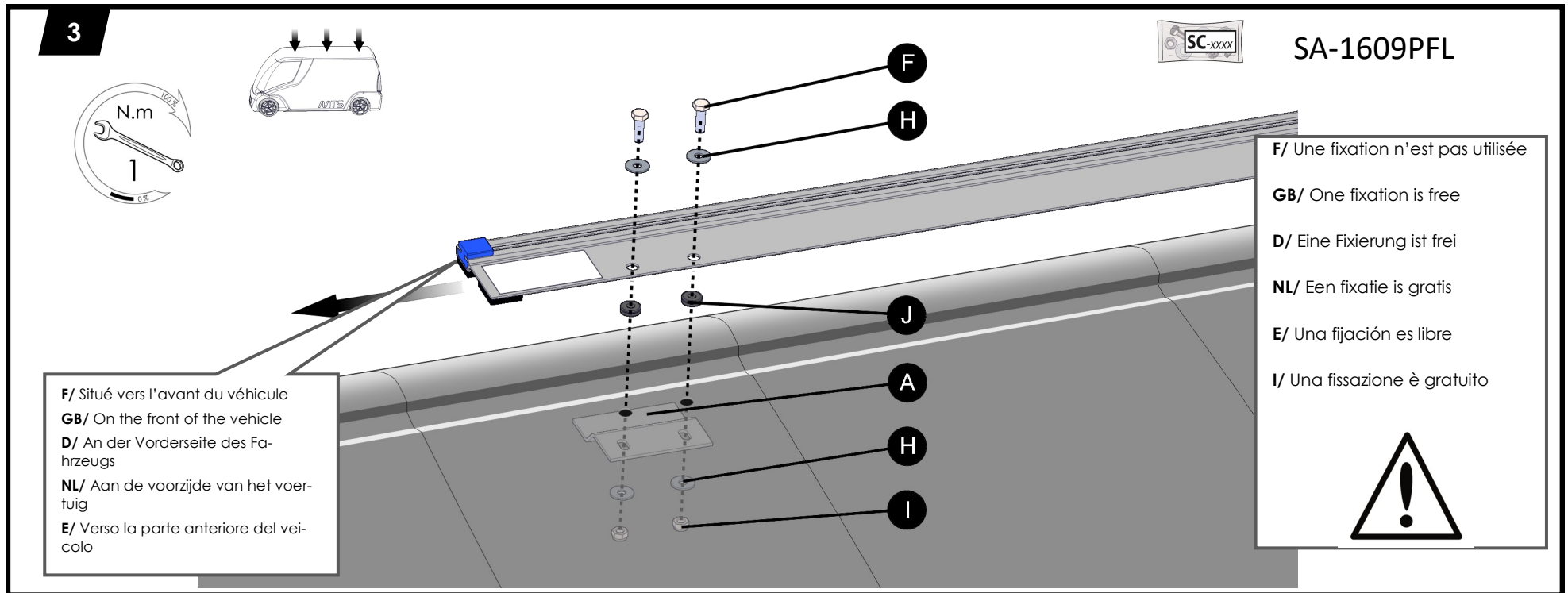
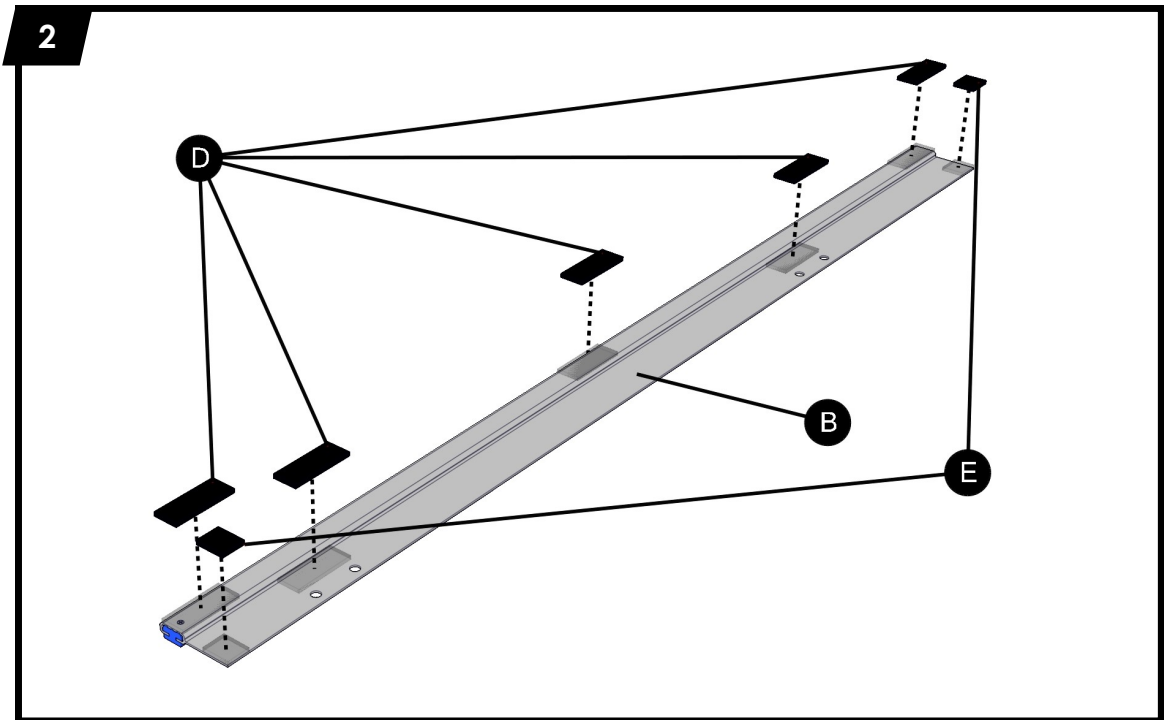
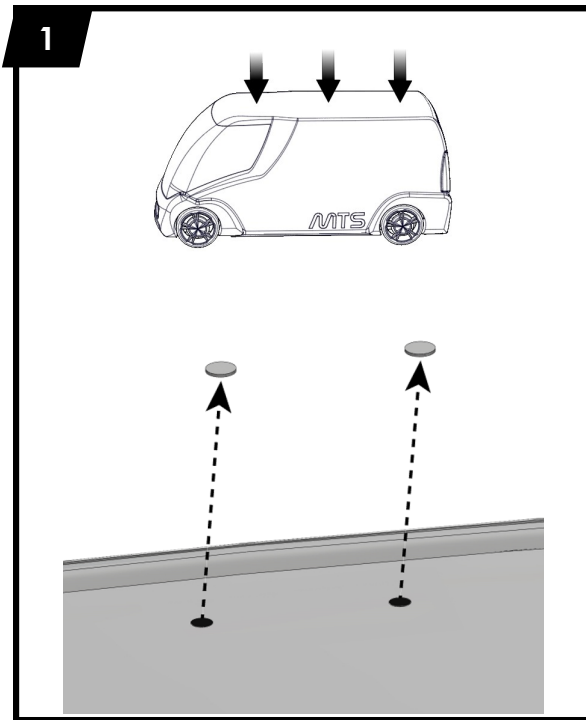


1609LCP2000		L1H1	1609CG250	AL78/79	200 kg	37kg	163kg	60'
1609CP2000G		L1H1				52kg	148kg	60'
1609LHP2000		L1H2				32kg	168kg	60'
1609HP2000G		L1H2				46.5kg	153.5kg	60'
1609LAP2000		L2H2	1609AG250	AL70/71/72/73		38kg	162kg	60'
1609AP2000G		L2H2				56.5kg	143.5kg	60'
1609LDP2000		L3H2	1609DG250	AL70/71/72/73/74/75		44kg	156kg	70'
1609DP2000G		L3H2				65.5kg	134.5kg	70'
1609LLP2000		L4H2	1609LG250	AL70/71/72/73/76/77		50kg	150kg	80'
1609LP2000G		L4H2				76.5kg	123.5kg	80'

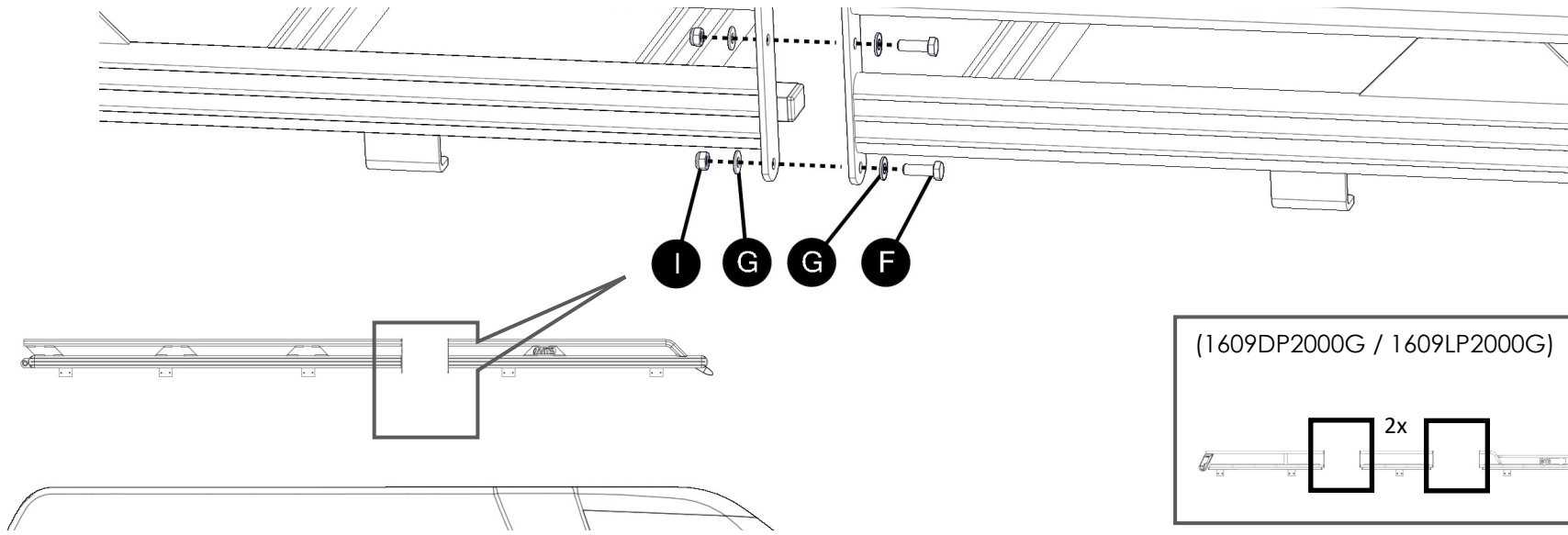
		SA-1609PFL				SA-ASSPLATSTD			SA-1609					
A	F M8x25 X 2	H Ø8 L X 4	J Ø8 X 2	I M8 X 2	G Ø8 M X 8	F M8x25 X 4	I M8 X 4	C1 X 2	C2 M8x20 X 2	H Ø8 L X 2	I M8 X 2	D	E	
1609CG250	8x	8x				1x			6x				20x	4x
1609AG250	8x	8x				1x			5x				20x	8x
1609DG250	12x	12x				2x			6x				30x	12x
1609LG250	12x	12x				2x			7x				30x	12x



4



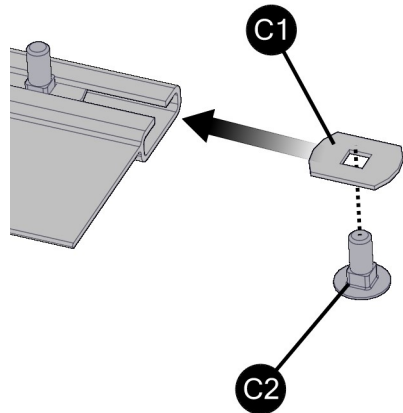
SC-ASSPLATSTD



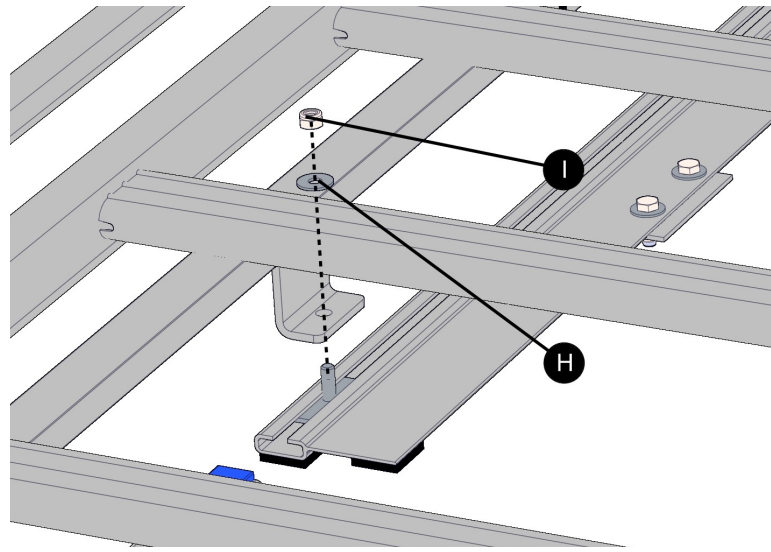
5



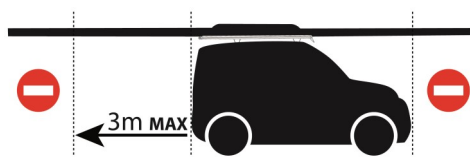
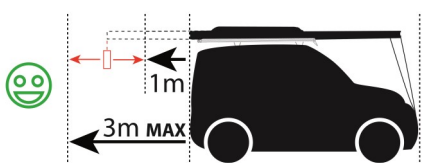
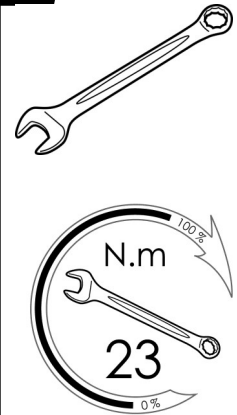
SA-1609



6



7



2.55 m MAX

