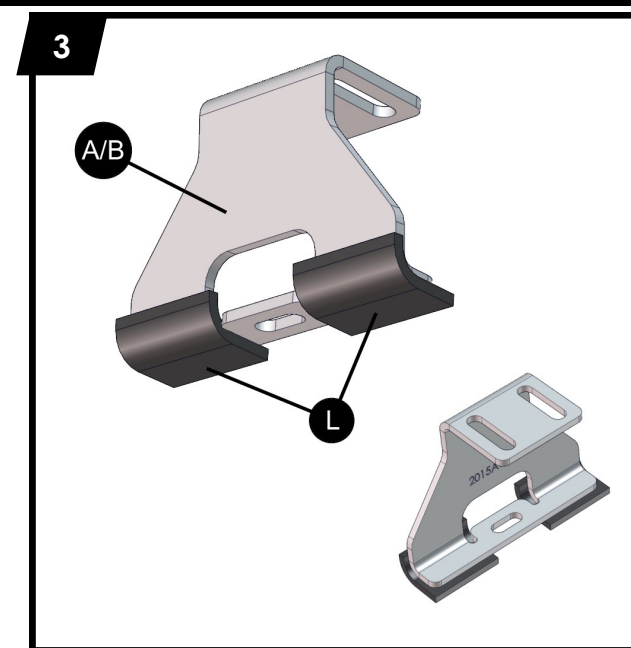
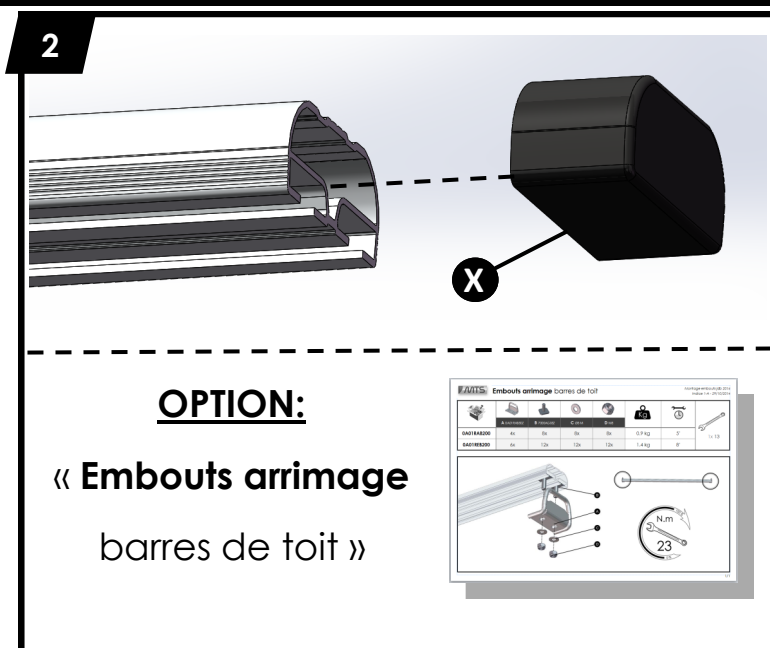
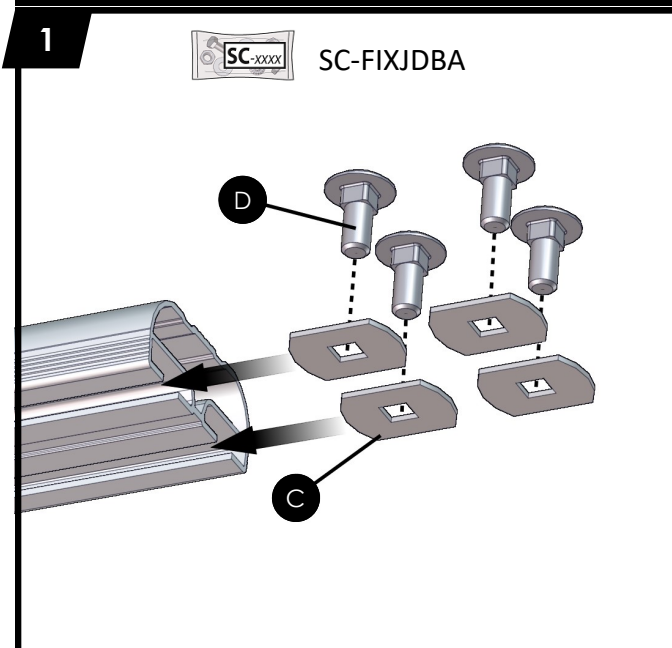


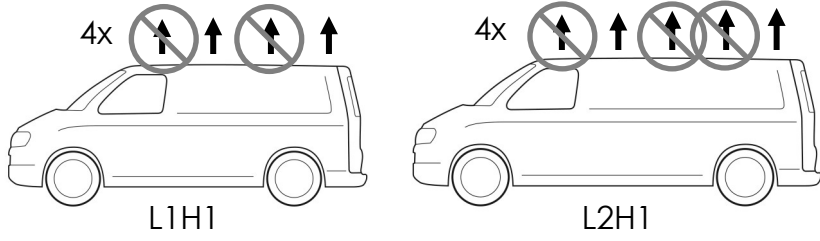
2015REB1000	L1/L2 H1	2015RAB200	6 kg	70 kg	15'	
2015REB1000		2015REB200	9 kg	100 kg	20'	
2015RLB1000		2015RLB200	12 kg	130 kg	25'	

	A 2015AG10Z	B 2015AG11Z	X embout extrémité	C 0A01AG100Z x4	D M8x20 x4	G M8 x4	H Ø8 M x4	F M6x25 x2	I Ø6 LL x2	J Ø6 x2	K Ø6 x2	L
					SC-FIXJDBA					SA-2015		
2015RAB200	2x	2x	4x		2x				2x			8x
2015REB200	4x	2x	6x		3x				3x			12x
2015RLB200	4x	4x	8x		4x				4x			16x

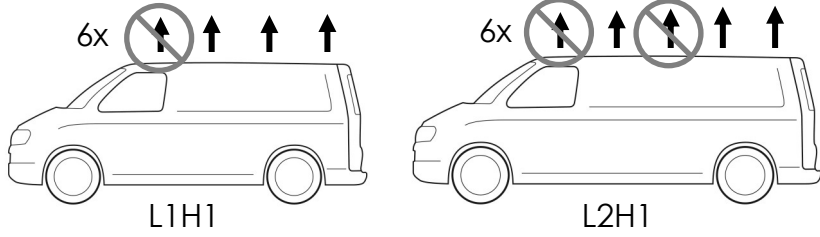


4

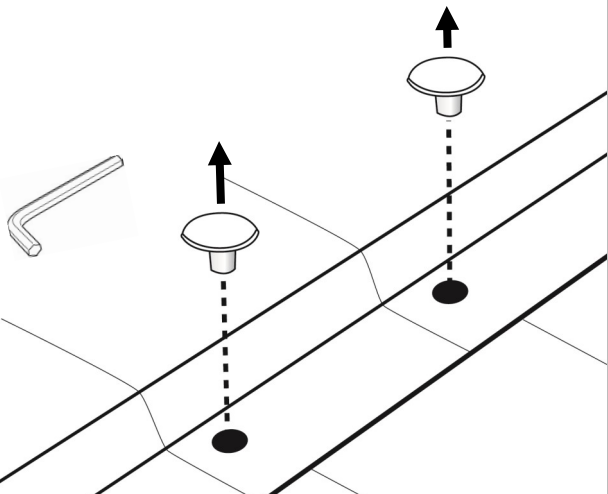
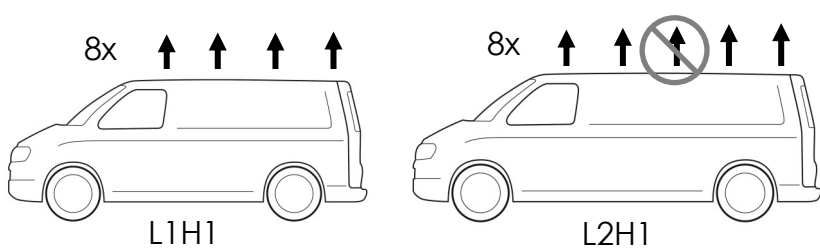
2015RAB1000



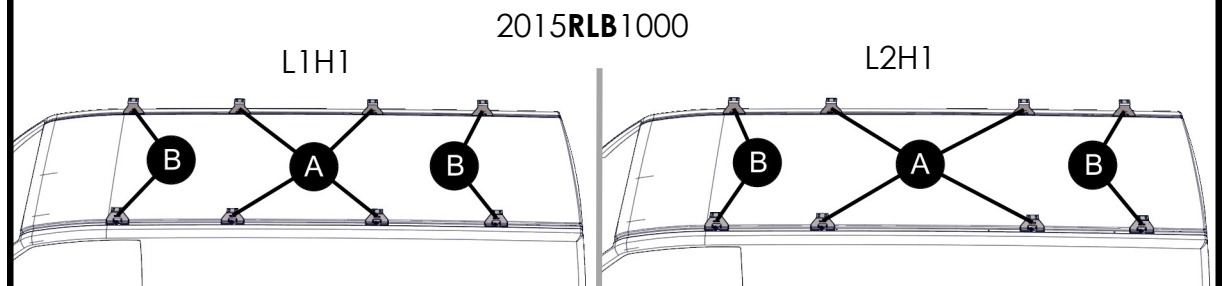
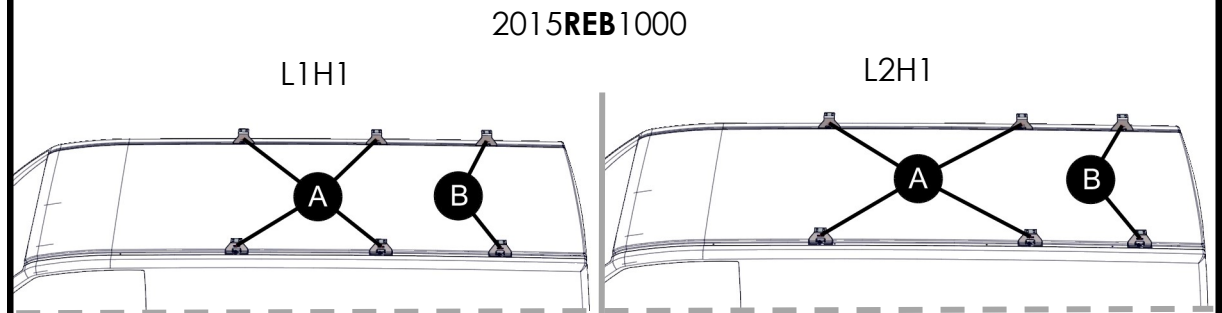
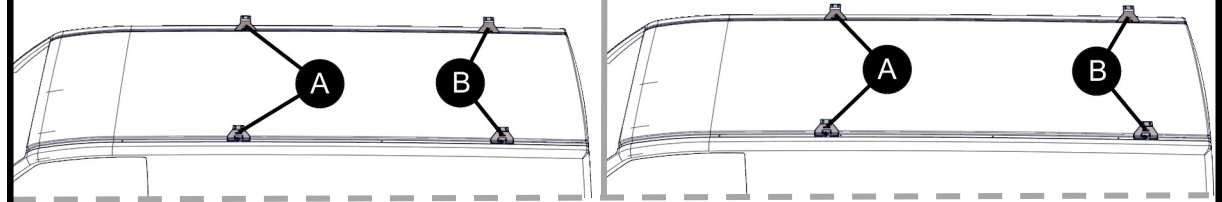
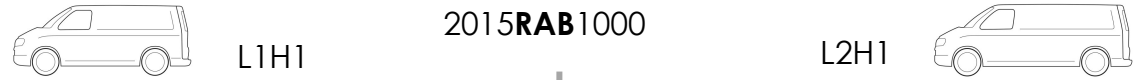
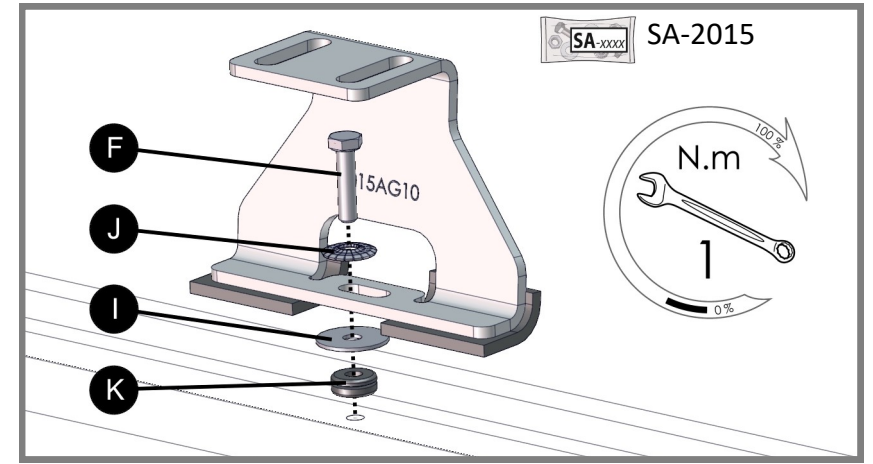
2015REB1000



2015RLB1000

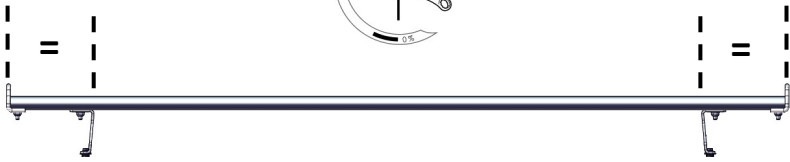


5



6

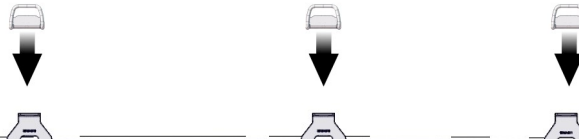
SC-xxxx SC-FIXJDBA



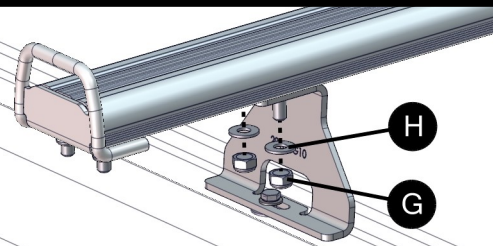
2015RAB1000



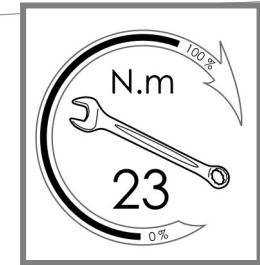
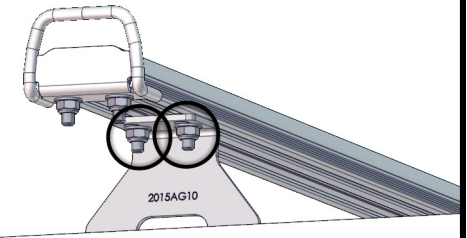
2015REB1000



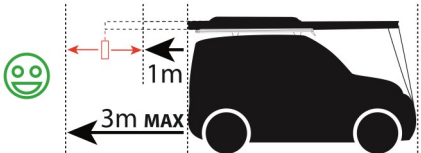
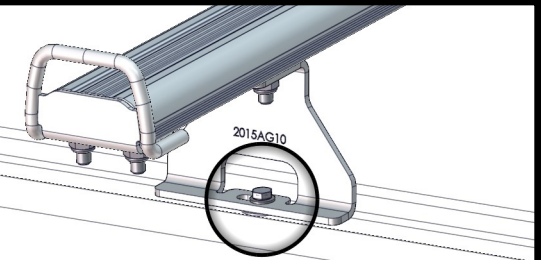
2015RLB1000



7



8



2.55 m MAX

