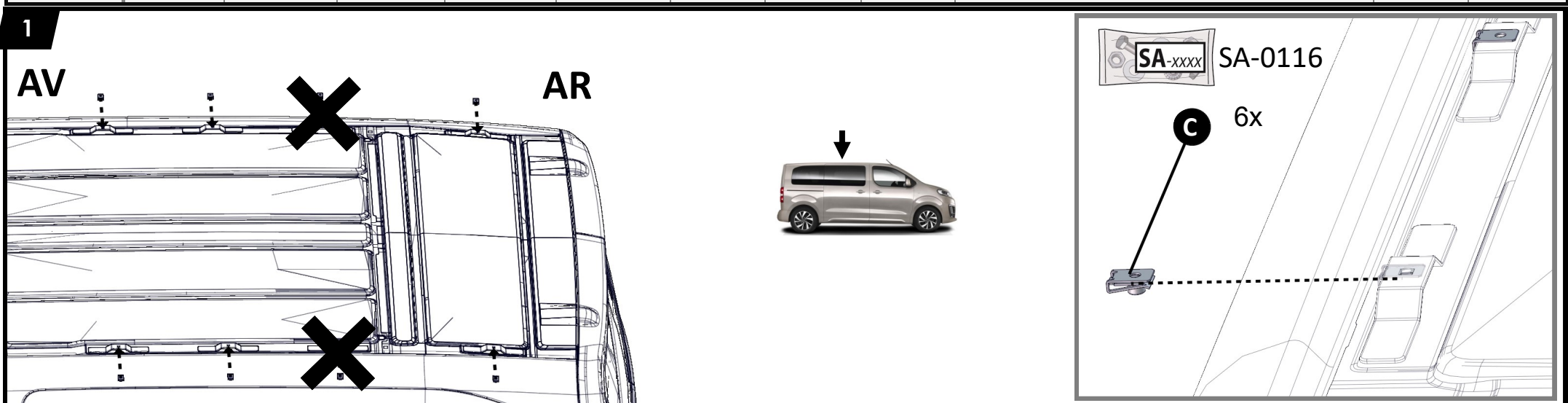


Citroën Jumpy XS (L1)/ Peugeot Expert Compact (L1) / Toyota Pro-ace Court (L0) - 2016 ACG / ALU
Opel Vivaro (L1) 2019

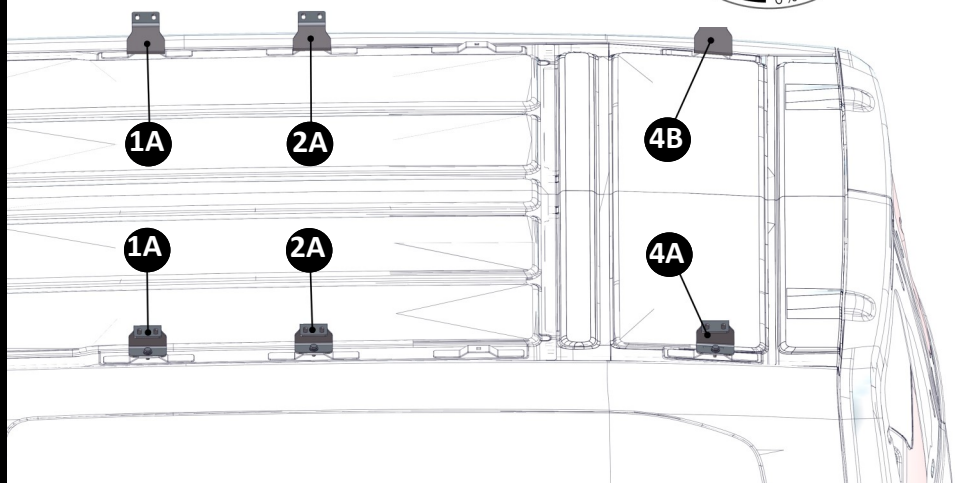
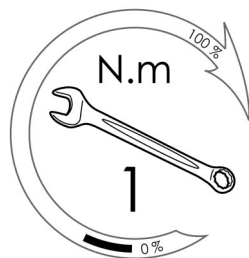
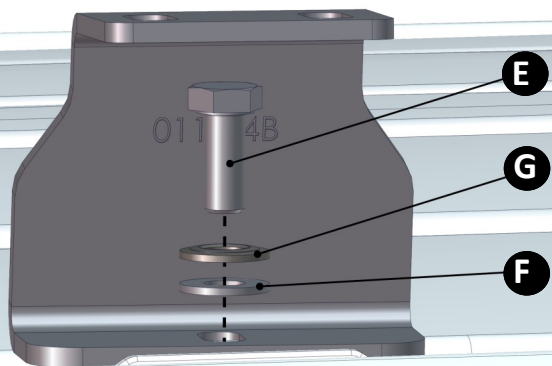
0116AP2000G	L1H1	0116AG200	166 kg	32 kg	134 kg	50'	
0116LAP2000				26 kg	140 kg		

	1A	2A	4A	4B	B1	B2 M8x20	D M8x25	F Ø8 M	C M8 x2	E M8x20 x2	F Ø8 M x2	G Ø8 x2	H M8	I
	0116RG01AZ	0116RG02AZ	0116RG04AZ	0116RG04BZ	0A01AG101Z					SA-0116				
0116AG200	2x	2x	1x	1x	6x	12x	4x	20x	3x		16x	2x		



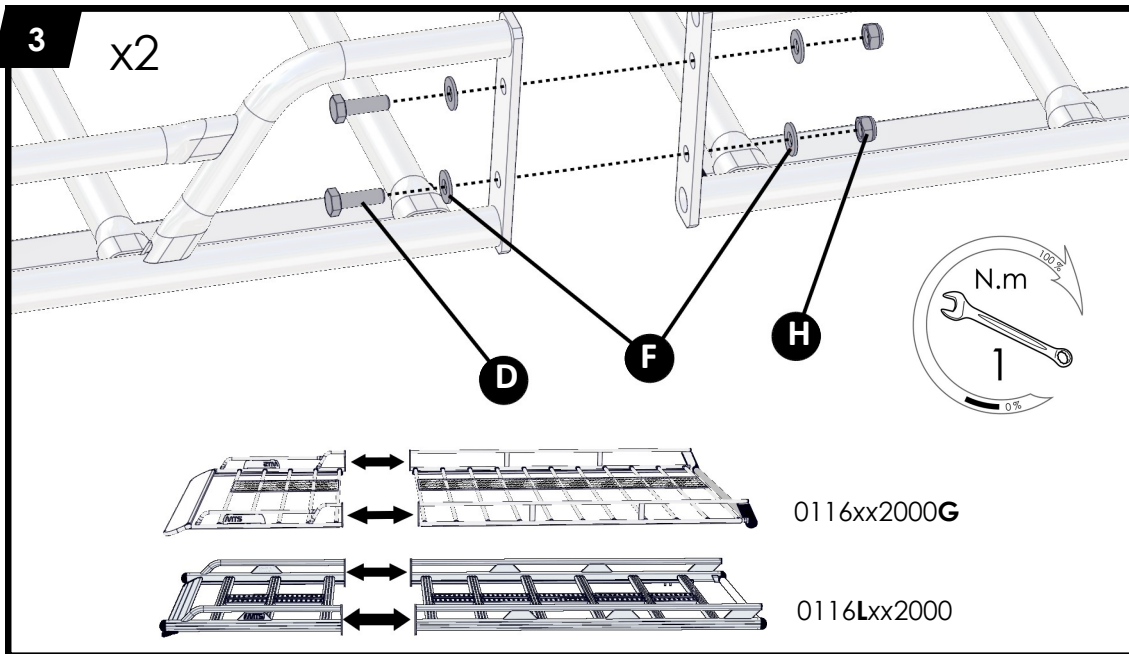
2

x6



3

x2



4

